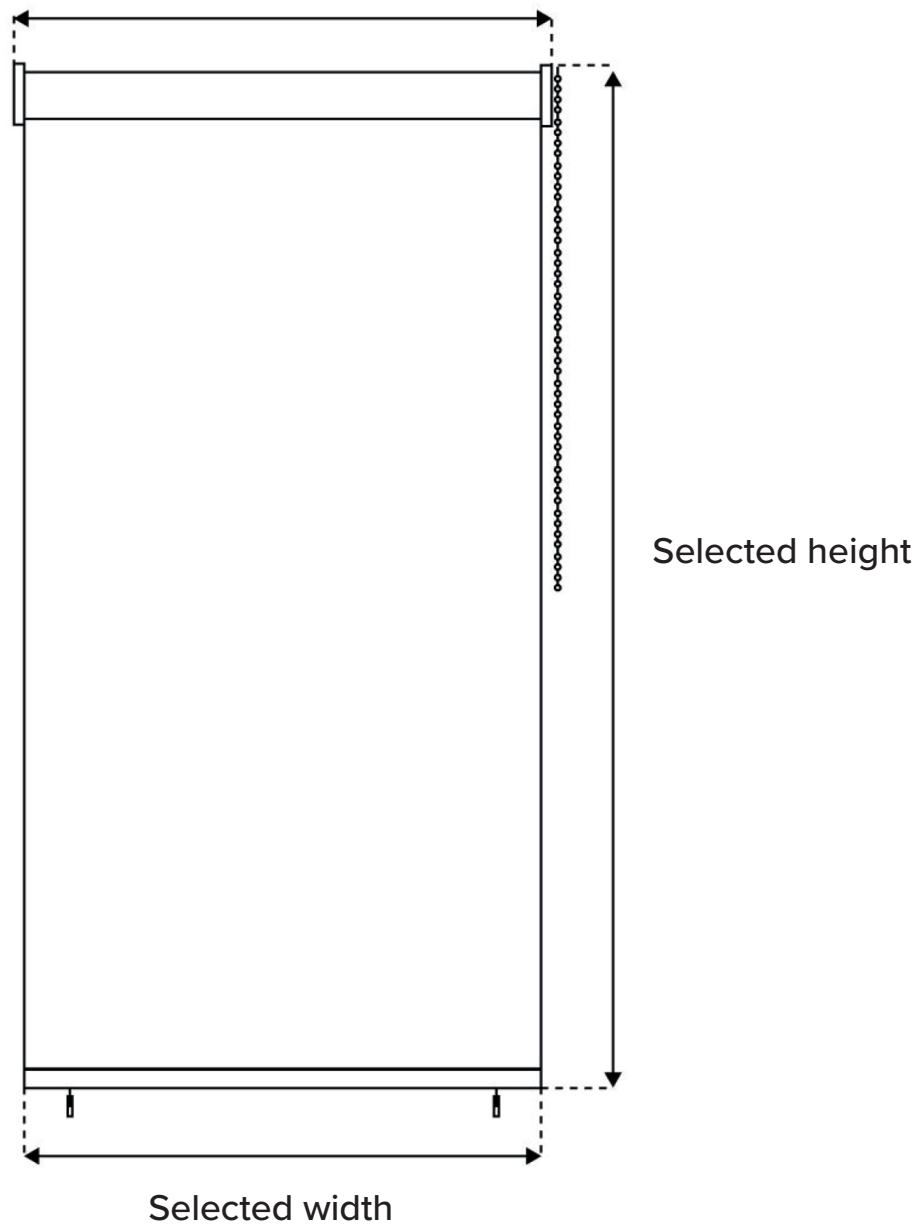
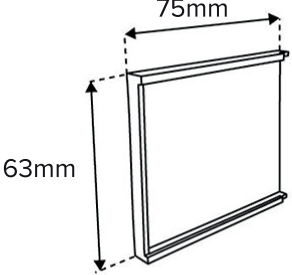

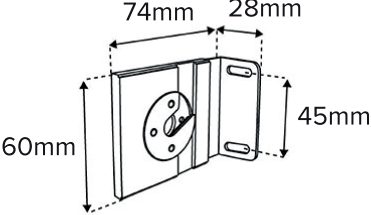
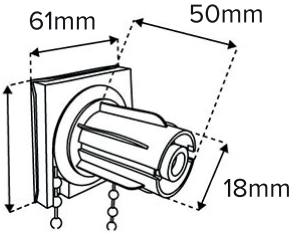
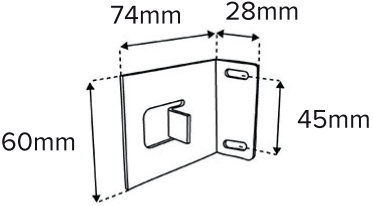


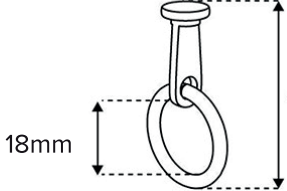
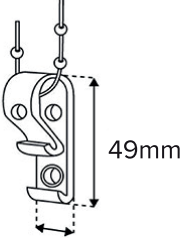
Measurement instructions for outdoor balcony blind

Selected width + 3 cm for the ends of the blind



Assembly elements

2x	
6x	
1x	
1x	
1x	

2x	
1x	
1x	