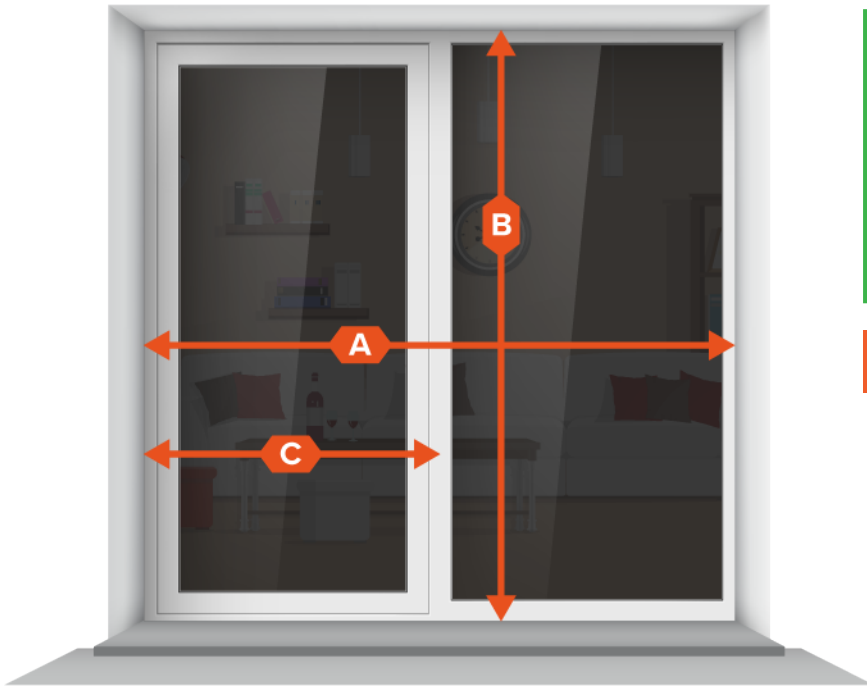


## Sliding Insect Screen measurement guide

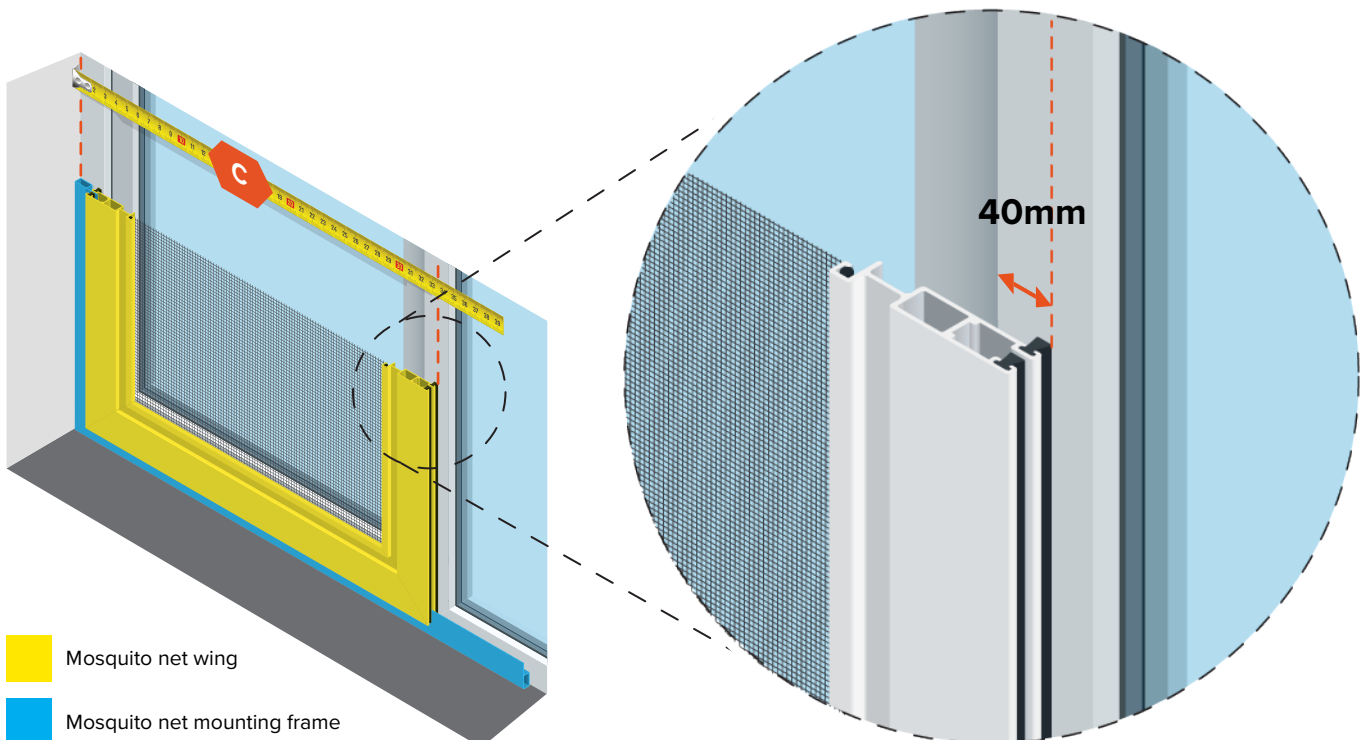


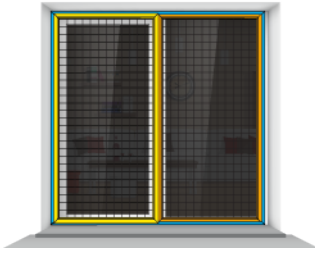
**Recess width = A**  
**Recess height = B**  
**Mosquito net width = C**

**!** All dimensions must be entered in millimeters(mm)

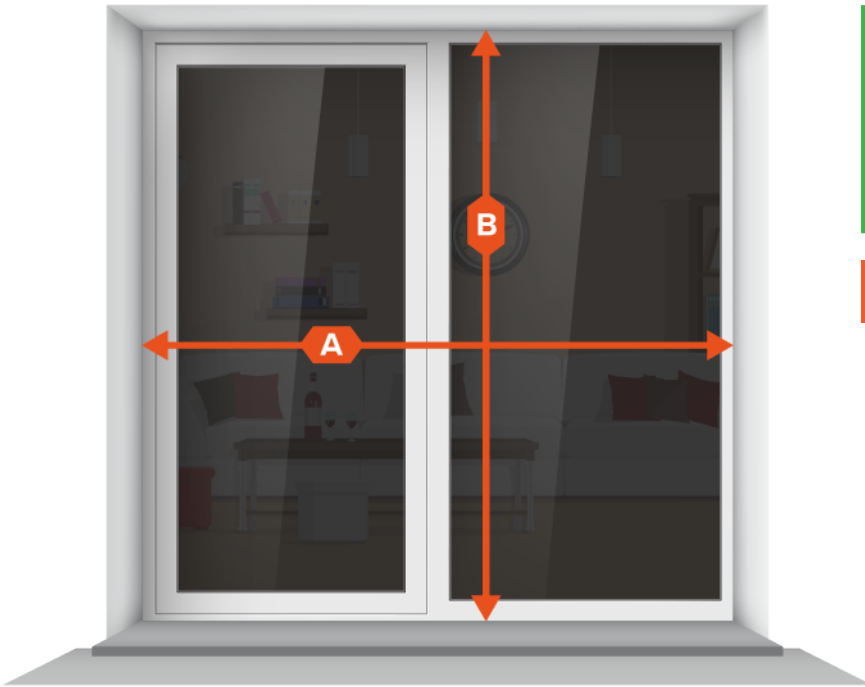
### Top Tip

A closed mosquito net wing should overlap about 40 mm over a door frame. This will ensure sealing of the entire system by means of brushes, that will adhere to the surface of the door frame.





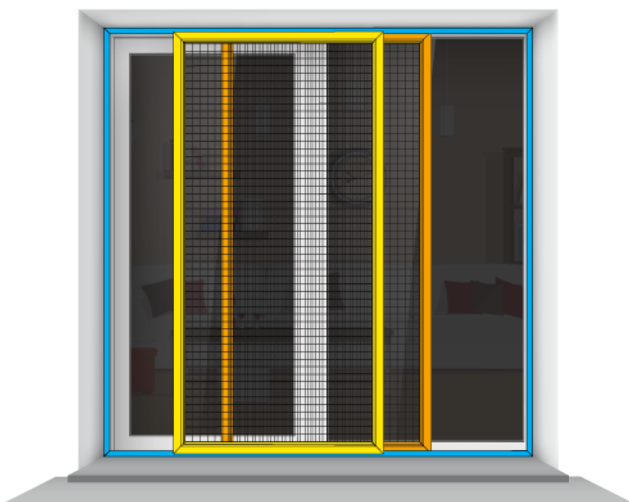
## Measurement instructions for a sliding mosquito net A two-wing system



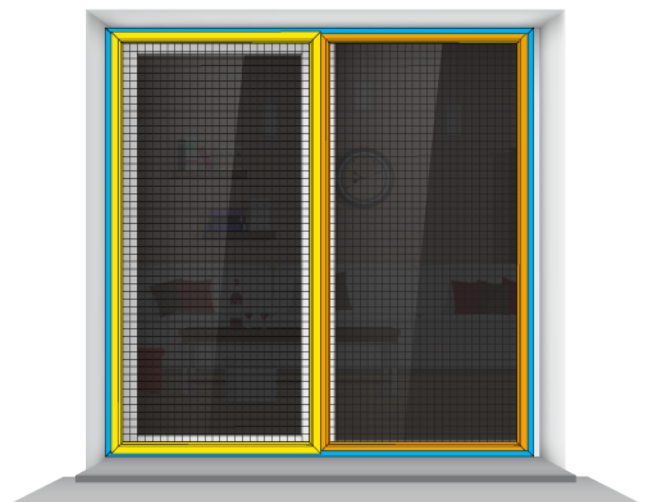
**Recess width = A**  
**Recess height = B**

**!** All dimensions must be entered in millimeters(mm)

In the double system, the width of the wings is automatically calculated to ensure the correct functioning of the system, covering the entire surface in the sizes you specify.



2 wings in an exemplary shifted position

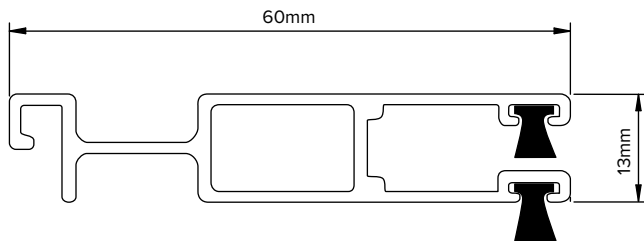


2 wings in closed position

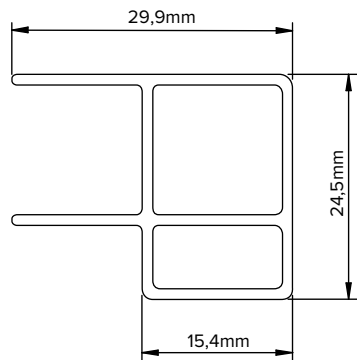
- 1 Mosquito net wing
- 2 Mosquito net wing
- Mosquito net mounting frame

# Technical information

## Cross-sections and sizes of mosquito net elements

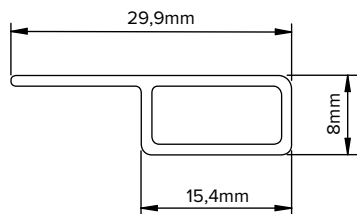


Mosquito net wing profile



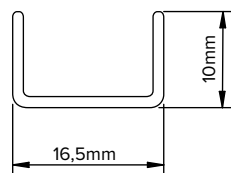
Double-closed rail

*Mosquito net profile used in a system of 2 wings.*



Closed single rail

*Used in a single-wing mosquito net system.*



Threshold (bottom rail)

*Mounted to the ground. Can be chosen instead of rail a closed.*